

TAH Filter Cartridge Housing Instruction Manual



www.oztter.com

OZTTER CORPORATION

Contents

◎ Notice	2 - 3
◎ Know Your Product.....	4
◎ Instruction Manual.....	5 - 6

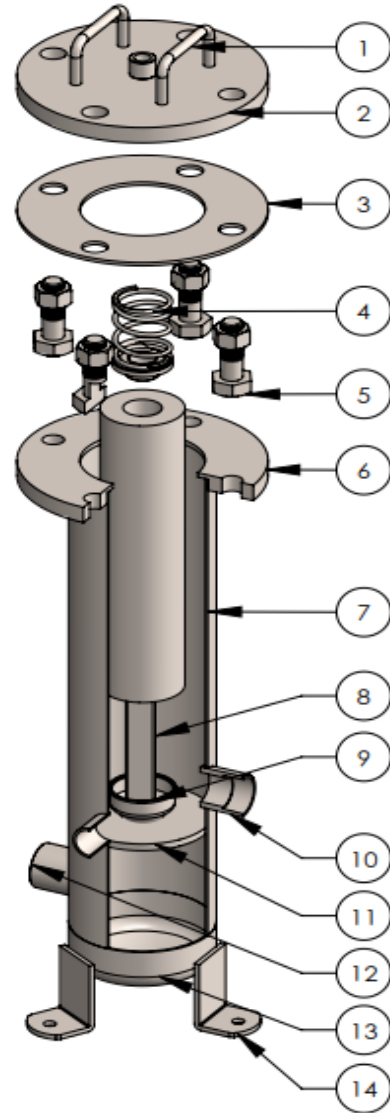
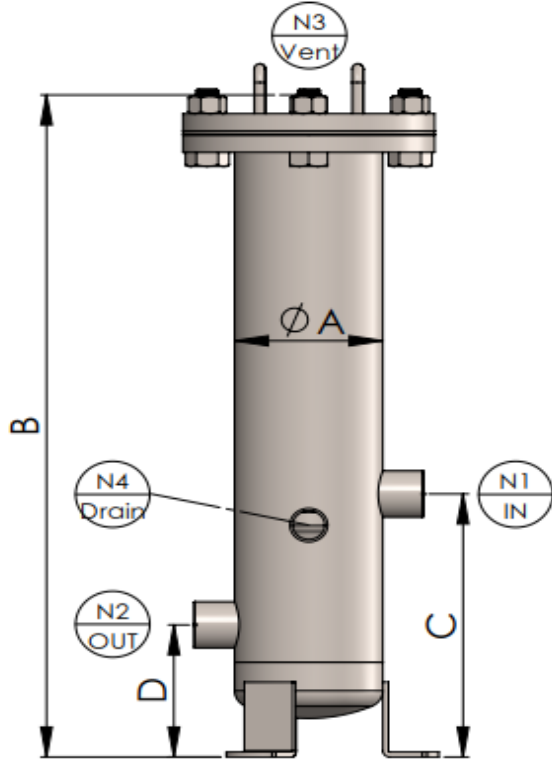
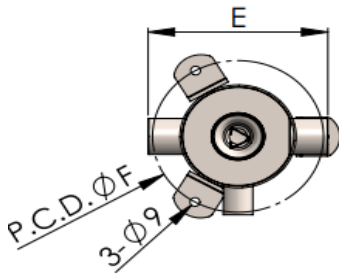
Notice

1. Please install and test the housing according to the product instruction manual.
2. This product is designed for filter equipment used for water filtration only; please don't use it on other purpose to avoid danger.
3. This product is categorized as pressure vessel, only professional or well-trained person who can install and operate it.
4. Please read through the instruction manual before moving, installing and using of this product.
5. Please check the product and make sure that there is no any damage or components lost before installing it. If the product was damaged, deformed or leaking, please stop using the housing
6. Please make sure that if the fluid is suitable for the filter before using.
7. Please use the product according to the instruction manual and make sure that the design pressure and the operating pressure are in the required range.
8. The filter housing must be installed and fixed on the level ground. Please do not fix it on the uneven ground.
9. Please do not open the top cover randomly before piping.
10. Installing the pressure control valve is suggested to keep the water pressure in case the suddenly increased/decreased water pressure happens.

11. Please avoid rapid switching of ball valve and continuous countercurrent which may cause damage to filter and housing while using the product.
12. Be sure to relieve the pressure inside the filter housing completely before replacing filter cartridges.
Please be cautious with the possibility of fluid ejection when it is at a high temperature
13. Please use the suitable O-ring and check it regularly then replace it if necessary. Deterioration or damage of the O-ring may cause fluid leakage.
14. The internal plastics components will deteriorate by long-term use. Please check it regularly and replace it if deterioration or damage is found.

Know Your Housing

No.	名稱	Description	No.	名稱	Description	No.	名稱	Description
1.	把手	Handle	2.	上蓋	Top Cover	3.	墊片	Gasket
4.	彈簧組	Springs	5.	螺母	Nut	6.	桶唇	Shell flange
7.	桶體	Shell	8.	濾心角條	Cartridge post	9.	杯座	Pedestal
10.	入口	Inlet	11.	集水板	Cartridge support plate	12.	出口	Outlet
13.	端板	Bottom cover	14.	腳架	Support leg			



Instruction Manual

1. Fix the filter housing :

- a. Adjust ⑭Support leg and put the filter housing into the proper position, then fix it on the ground or board.

2. Pipe :

- a. Connect ⑩Inlet and ⑫Outlet to the main pipe.
- b. Install the exhaust valve and pressure gauge at N3 vent

3. Open the filter housing and install the internal parts :

- a. Unfasten the ⑤Nut. Hold the ①Handle, pull up ②Top cover and fix it.
- b. Take out ④Springs.
- c. Align the center of the filter cartridge with the ⑧Cartridge post and insert it. ④Springs aim to the center of cartridge hole and place on the top of the cartridge (spring cover downward). Also please check if ④Springs aimed to the leading hole.
- d. Put ③Gasket is on the top of ⑥shell flange.
- e. Close the ②Top cove and fasten ⑤Nut.

4. Testing :

- a. Close N4 Drain, Open N3 Vent.
- b. Pour in water until water comes out from N3 Vent, and then close the vent valve.

c. Keep the above step for 30 minutes and checks whether there is leaking.

5. Stop leakage :

a. If the leakage was found, please close ⑩Inlet and unfasten N3 Vent to relieve the inner pressure.

b. After relieving all the pressure inside the shell, please fasten ⑤Nut tightly again.

c. Then open ⑩Inlet and increase pressure slowly to check if there is any leakage.

d. If not, please open ⑩Inlet and ⑫Outlet to start working.

6. Stop running :

a. Please close ⑩Inlet and ⑫Outlet first.

b. Stop running water and open N3 Vent.

c. Open the filter housing after relieving all the inner pressure.