

KU Filter Bag Housing Instruction Manual



www.oztter.com

OZTTER CORPORATION

Contents

◎ Notice.....	2 - 3
◎ Know Your Product.....	4
◎ Instruction Manual.....	5 - 6

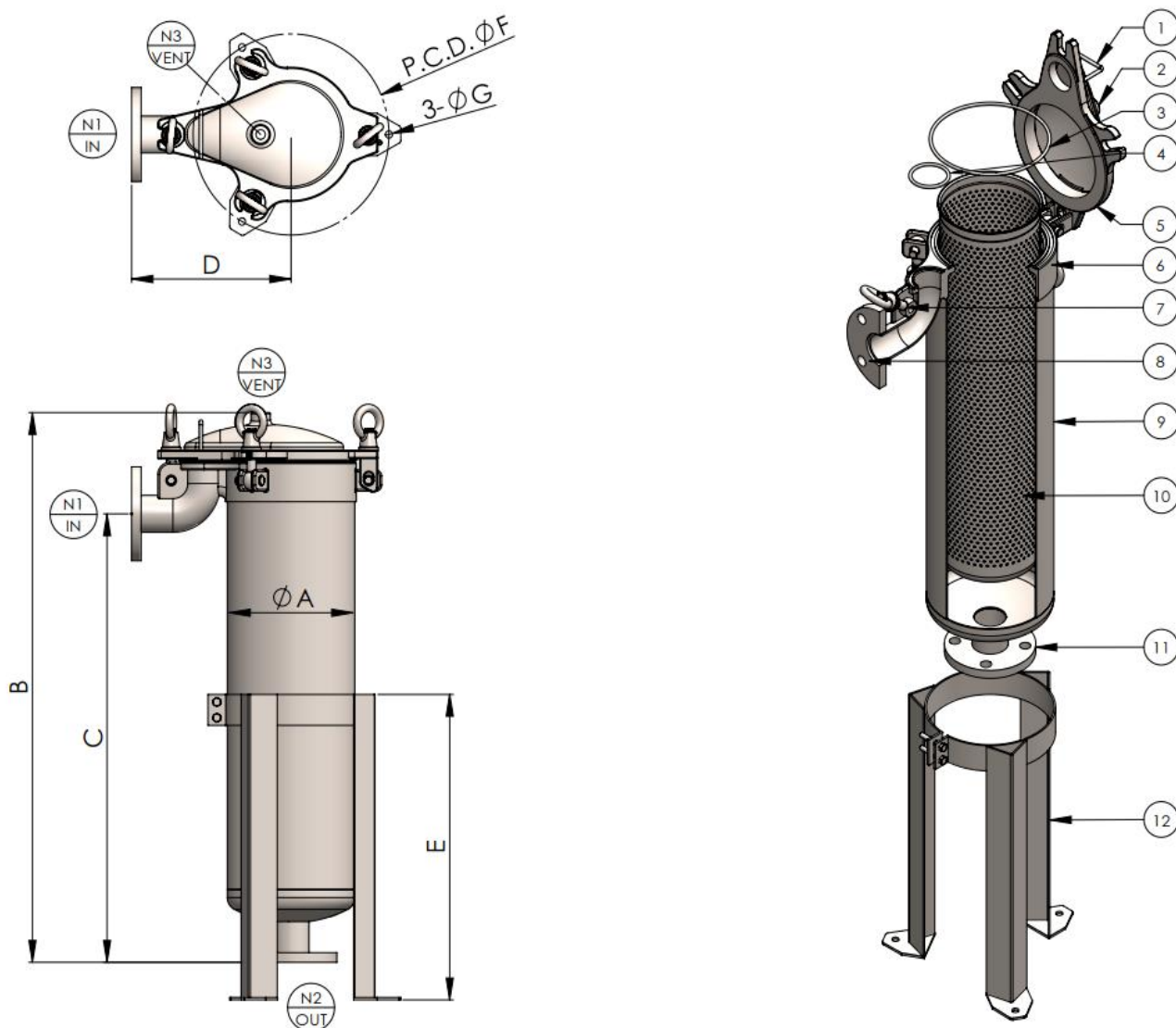
Notice

1. Please install and test the housing according to the product instruction manual.
2. This product is designed for filter equipment used for water filtration only; please don't use it on other purpose to avoid danger.
3. This product is categorized as pressure vessel, only professional or well-trained person who can install and operate it.
4. Please read through the instruction manual before moving, installing and using this product.
5. Please check the product and make sure that there is no any damage or components lost before installing it. If the product was damaged, deformed or leaking, please stop using the housing.
6. Please make sure that if the fluid is suitable for the filter before using.
7. Please use the product according to the instruction manual and make sure that the design pressure and the operating pressure are in the required range.
8. The filter housing must be installed and fixed on the level ground. Please do not fix it on the uneven ground.
9. Please do not open the top cover randomly before piping.
10. Installing the pressure control valve is suggested to keep the water pressure from the suddenly increased/decreased water pressure happens.

11. Please avoid rapid switching of the ball valve and continuous countercurrent which may cause damage to filter and housing while using the product.
12. Be sure to relieve the pressure inside the filter housing completely before replacing filter cartridges.
Please be cautious with the possibility of fluid ejection when it is at a high temperature.
13. Please use the suitable O-ring and check it regularly then replace it if necessary. Deterioration or damage of the O-ring may cause fluid leakage.
14. The internal plastics components will deteriorate by long-term use. Please check it regularly and replace it if deterioration or damage is found.

Know Your Product

No.	名稱	Description	No.	名稱	Description	No.	名稱	Description
1	把手	Handle	2	上蓋	Top Cover	3	O 型環	O-Ring
4	O 型環	O-Ring	5	上蓋唇	Top cover flange	6	桶唇	Shell flange
7	單眼螺絲組	Eye bolt	8	入口	Inlet	9	桶體	Shell
10	金屬內網	Basket	11	出口	Outlet	12	活動腳架	Support leg



Instruction Manual

1. Fix the filter housing :

- a. Adjust ⑫ Support leg and put the filter housing into the proper position, then fix it on the ground or board.

2. Pipe :

- a. Connect ⑧ Inlet and ⑪ Outlet to the main pipe.
- b. Install the exhaust valve and pressure gauge at N3 vent

3. Open the filter housing and install the internal parts :

- a. Unfasten the ⑦ Eye bolt. Hold the ① Handle, pull up ② Top cover and fix it.
- b. Put the filter bag in and clip top ring with filter bag plate closely and make sure ⑩ Basket, Filter bag, ③ ④ O-ring are installed in proper position
- c. Hold ① Handle and put ② Top cover down on the top of ③ ④ O-ring.
 - a. Align the center of the U-shape with eye bolt socket and fasten the ⑦ Eye bolt in clockwise direction.

4. Testing :

- a. Open N3 Vent and pour in water until water comes out from N3 Vent.
- b. Close the exhaust valve at N3 Vent.
- c. Keep the above step for 30 minutes and checks whether there is leaking.

5. Stop leakage :

- a. If the leakage was found, please close ⑧ Inlet and unfasten N3 Vent to relieve the inner pressure.
- b. Fasten the ⑦ Eye bolt tightly again.
- c. Open ⑧ Inlet and increase pressure slowly and check if there is any leakage.
- d. If not, please open ⑧ Inlet and ⑪ Outlet to start working.

6. Stop running :

- a. Please close ⑧ Inlet and ⑪ Outlet first.
- b. Stop running water and open N3 Vent.
- c. Please open the filter housing after relieving the inner pressure.