

SZ

Sanitary Filter Cartridge Housing (Horizontal Plate Type)

Design P.	150psi
Design T.	100°C
Max Operating P.	150psi
Operating T.	75°C



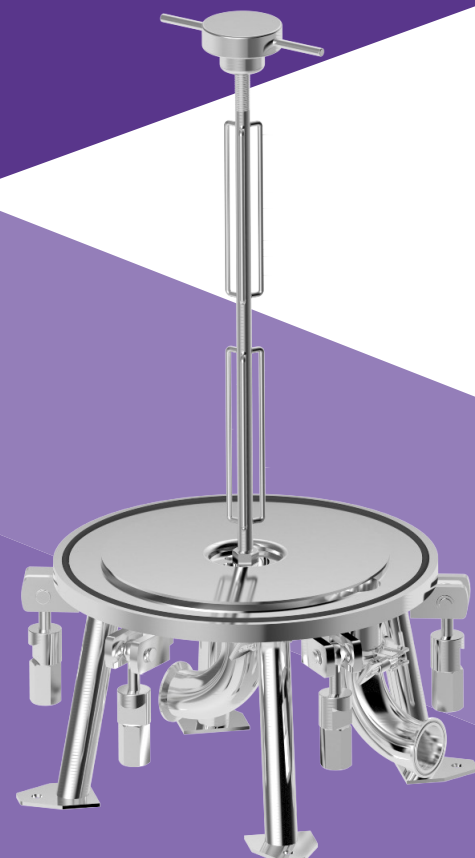
Features

1. Available for Horizontal plate filter.
2. 0.2RA surface roughness
3. Complete inside and outside finishing with no blind spot to prevent residual dirt.
4. Padlock with eye bolt closure prevents spillage.



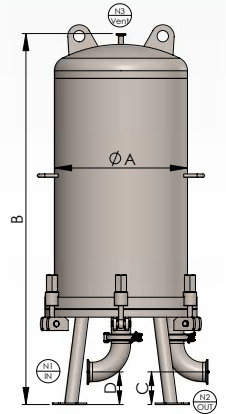
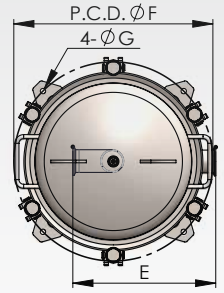
Applications

Chemicals	RO Pre-filtration process
Petrochemical	Water filtration
Beverage Industry	Pharmaceutical
Liquor manufacture	Experiment Process
Food industry	Gas Filter
Electroplating Industry	Sewage treatment
High temperature manufacturing processes	Electronic Industry



SZ Ordering Guide

SZ	12	3	6	2	C	S	PP
Model	Filter Size	No. of filter	Material	Connection Size	Connection Type	O-ring	Outside / Inside Finishes
SZ	8-8"	1-1PC	4-304	1-1"	150P-ANSI	E-EPDM	E- Eletropolishing
	12-12"	2-2PCS	6-316	121-1-1/2"	10K-JIS	N-NBR	P-Polishing
	16-16"	3-3PCS	6L-316L	2-2"	PN10-DIN	V-VITON	
		4-4PCS		221-2-1/2"	C-CLAMP	S-Silicon	
				3-3"	PF-PTF	T-Teflon + SILICON	
					NF-NPTF		
					PM-PTM		
					NM-NPTM		



SZ Specifications

Model	Qty of Filter	N1/N2	N3	A m/m	B m/m	C m/m	D m/m	E m/m	F(PCD) m/m	G m/m	Volume
SZ8	Ø238	1 1/2"~1/2"	1/2"	Ø238	700	86	86	268	Ø315	Ø12	17L
SZ8	Ø238	1 1/2"~1/2"	1/2"	Ø238	975	86	86	268	Ø315	Ø12	29L
SZ8	Ø238	1 1/2"~1/2"	1/2"	Ø238	1250	86	86	268	Ø315	Ø12	41L
SZ12	Ø350	1 1/2"~1/2"	1/2"	Ø350	700	86	86	318	Ø445	Ø12	37L
SZ12	Ø350	1 1/2"~1/2"	1/2"	Ø350	975	86	86	318	Ø445	Ø12	63L
SZ12	Ø350	1 1/2"~1/2"	1/2"	Ø350	1250	86	86	318	Ø445	Ø12	89L
SZ12	Ø350	1 1/2"~1/2"	1/2"	Ø350	1525	86	86	318	Ø445	Ø12	115L