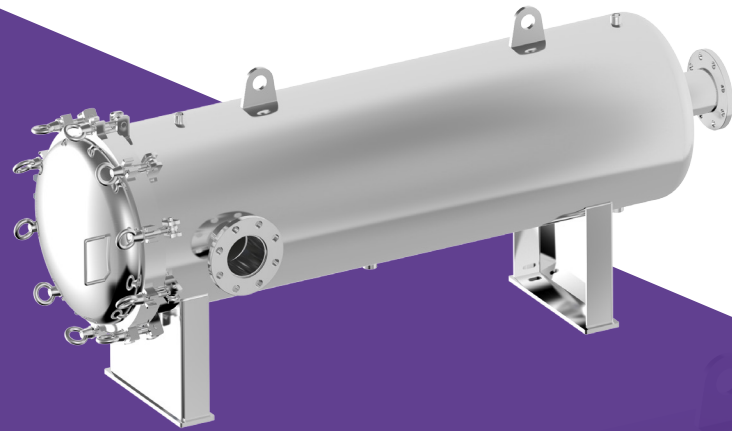


FM

High Flow Type Multi Filter Cartridge Housing

Design P.	150psi
Design T.	100°C
Max Operating P.	150psi
Operating T.	75°C



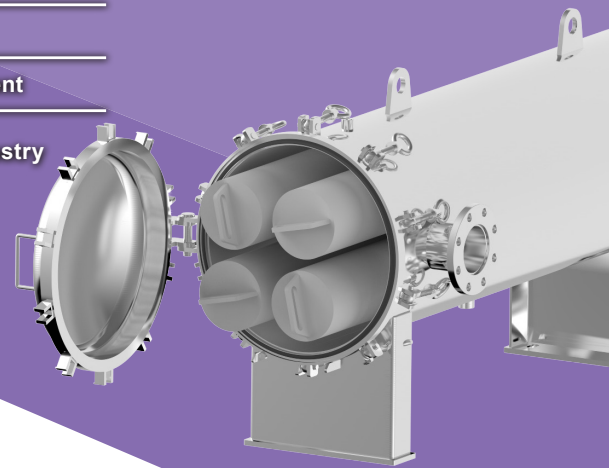
Features

1. Excellent durability and tolerance of high pressure.
2. High Flow type allows high filtration efficiency.
3. Horizontal housing with side-opened top cover design allows easier and safer cartridge change-outs.
3. High-thickness rubber O-ring allows for easy installation and resistance of spillage.



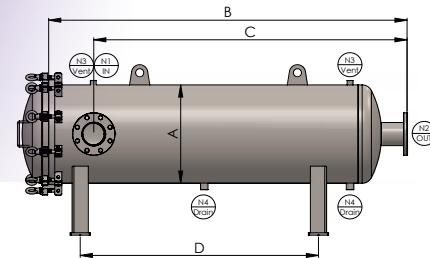
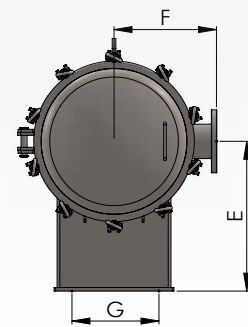
Applications

Chemicals	RO Pre-filtration process
Petrochemical	Water filtration
Beverage Industry	Pharmaceutical
Liquor manufacture	Experiment Process
Food industry	Gas Filter
Electroplating Industry	Sewage treatment
High temperature manufacturing processes	Electronic Industry



FM Ordering Guide

Model	No. of Filter Cartridge	Length	Material	Adapter	Connection Size	Connection Type	O-ring	Outside / Inside Finishes
FM	2~19	4-40" 6-60"	4-304 6-316 6L-316L	3H-3M High flow 37-3M 700 PM-Pall Max	2-2" 221-2-1/2" 3-3" 4-4" 5-5" 6-6" 8-8" 10-10" 12-12" 14-14" 16-16"	150P-ANSI 10K-JIS PN10-DIN C-CLAMP PF-PTF NF-NPTF PM-PTM NM-NPTM	E-EPDM N-NBR V-VITON S-Silicon TS-TEFLON +SILICON	A-ACID-Pickling E- Eletropolishing P-Polishing S-Sand Blasting



FM Specifications

Model	Length	N1/N2	N3	N4/N5	A m/m	B m/m	C m/m	D m/m	E m/m	F m/m	G m/m	M3/Hr	Weight	Volume
2FM	40"	4"	1/2'	1"	Ø406	1681	1471	1120	450	303	250	190	142kg	200L
2FM	60"	4"	1/2'	1"	Ø406	2191	1981	1630	450	303	250	280	160kg	216L
3FM	40"	5"	1/2'	1"	Ø406	1731	1511	1170	450	303	250	258	146kg	207L
3FM	60"	5"	1/2'	1"	Ø406	2241	2021	1680	450	303	250	420	163kg	223L
4FM	40"	5"	1/2'	1"	Ø508	1750	1515	1170	500	354	300	380	165kg	299L
4FM	60"	5"	1/2'	1"	Ø508	2260	2025	1680	500	354	300	560	185kg	393L
5FM	40"	6"	1/2'	1"	Ø508	1750	1515	1170	500	354	300	475	170kg	327L
5FM	60"	6"	1/2'	1"	Ø508	2260	2025	1680	500	354	300	700	200kg	430L
7FM	40"	6"	1/2'	1"	Ø560	1761	1526	1170	550	380	350	665	235kg	399L
7FM	60"	6"	1/2'	1"	Ø560	2284	2049	1680	550	380	350	980	270kg	524L
8FM	40"	6"	1/2'	1"	Ø650	1779	1544	1250	600	425	400	760	265kg	541L
8FM	60"	6"	1/2'	1"	Ø650	2289	2054	1760	600	425	400	1120	310kg	710L
9FM	40"	8"	1/2'	1"	Ø762	1881	1606	1250	650	481	500	855	440kg	787L
9FM	60"	8"	1/2'	1"	Ø762	2391	2116	1760	650	481	500	1260	510kg	1019L
10FM	40"	8"	1/2'	1"	Ø762	1881	1606	1250	650	481	500	950	442kg	787L
10FM	60"	8"	1/2'	1"	Ø762	2391	2116	1760	650	481	500	1400	521kg	1019L
12FM	40"	8"	1/2'	1"	Ø762	1881	1606	1250	650	481	500	1140	445kg	1130L
12FM	60"	8"	1/2'	1"	Ø762	2391	2116	1760	650	481	500	1680	515kg	1429L
13FM	40"	14"	1/2'	1"	Ø864	2091	1691	1440	700	532	550	1235	546kg	1154L
13FM	60"	14"	1/2'	1"	Ø864	2601	2201	1950	700	532	550	1820	600kg	1453L
15FM	40"	16"	1/2'	1"	Ø864	2141	1716	1490	700	532	550	1425	550kg	1154L
15FM	60"	16"	1/2'	1"	Ø864	2651	2226	2000	700	532	550	2100	610kg	1453L
17FM	40"	16"	1/2'	1"	Ø864	2141	1716	1490	700	532	550	1615	555kg	1154L
17FM	60"	16"	1/2'	1"	Ø864	2651	2226	2000	700	532	550	2380	615kg	1453L
19FM	40"	16"	1/2'	1"	Ø900	2148	1723	1490	750	550	600	1805	700kg	1261L
19FM	60"	16"	1/2'	1"	Ø900	2658	2233	2000	750	550	600	2660	795kg	1586L