

# KRQ Filter Bag Housing Instruction Manual



[www.oztter.com](http://www.oztter.com)

**OZTTER CORPORATION**

## Contents

◎ Notice.....	2 - 3
◎ Know Your Product.....	4
◎ Instruction Manual.....	5 - 6

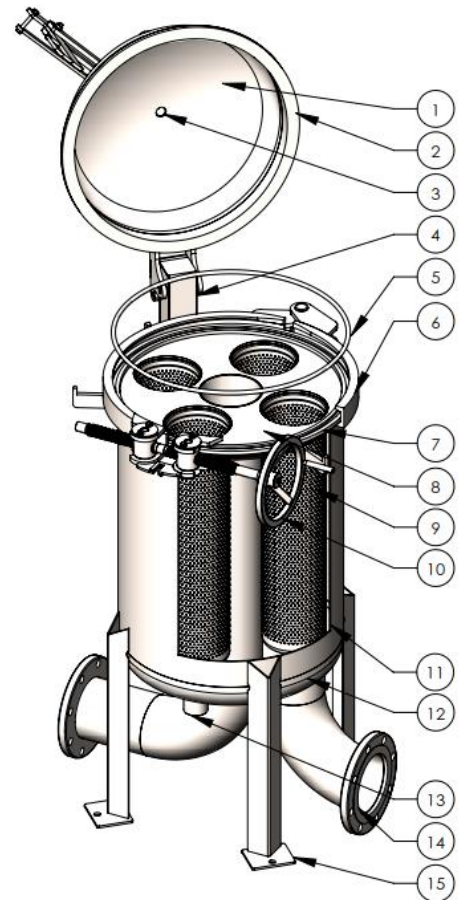
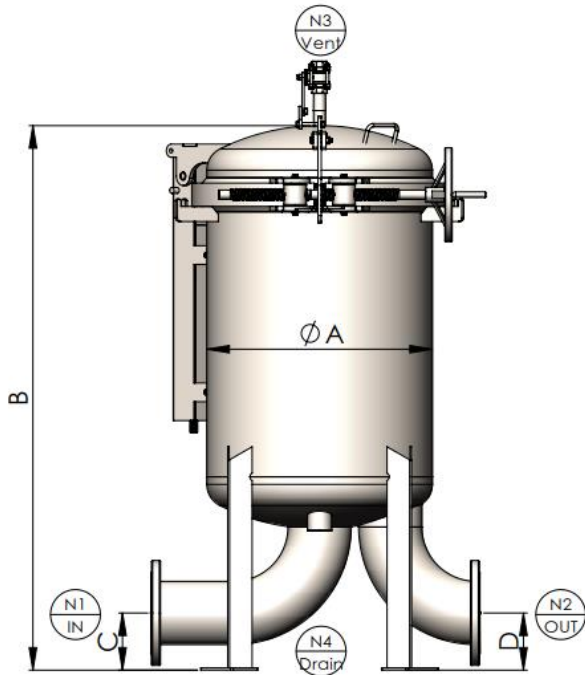
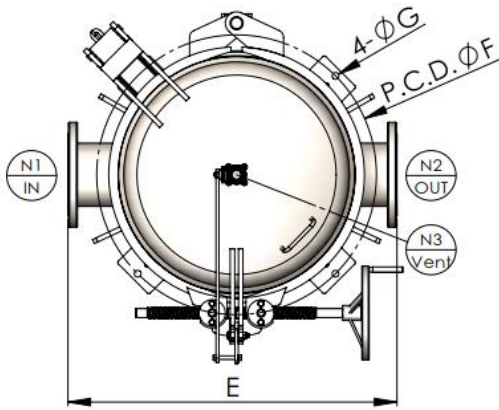
## Notice

1. Please install and test the housing according to the product instruction manual.
2. This product is designed for filter equipment used for water filtration only; please don't use it on other purpose to avoid danger.
3. This product is categorized as pressure vessel, only professional or well-trained person who can install and operate it.
4. Please read through the instruction manual before moving, installing and using this product.
5. Please check the product and make sure that there is no any damage or components lost before installing it. If the product was damaged, deformed or leaking, please stop using the housing.
6. Please make sure that if the fluid is suitable for the filter before using.
7. Please use the product according to the instruction manual and make sure that the design pressure and the operating pressure are in the required range.
8. The filter housing must be installed and fixed on the level ground. Please do not fix it on the uneven ground.
9. Please do not open the top cover randomly before piping.
10. Installing the pressure control valve is suggested to keep the water pressure from the suddenly increased/decreased water pressure happens.

11. Please avoid rapid switching of the ball valve and continuous countercurrent which may cause damage to filter and housing while using the product.
12. Be sure to relieve the pressure inside the filter housing completely before replacing filter cartridges.  
Please be cautious with the possibility of fluid ejection when it is at a high temperature.
13. Please use the suitable O-ring and check it regularly then replace it if necessary. Deterioration or damage of the O-ring may cause fluid leakage.
14. The internal plastics components will deteriorate by long-term use. Please check it regularly and replace it if deterioration or damage is found.

# Know Your Product

No.	名稱	Description	No.	名稱	Description	No.	名稱	Description
1.	上蓋	Top cover	2.	上蓋唇	Top cover flange	3.	排氣口	Vent
4.	掀蓋組	Raise cover units	5.	O型環	O-ring	6.	束環	Clamp
7.	桶唇	Shell flange	8.	濾袋座	Filter bag plate	9.	金屬內網	Basket
10.	轉盤	Turntable	11.	桶體	Shell	12.	端板	Bottom cover
13.	排放口	Drain	14.	出入口	Inlet/Outlet	15.	腳架	Support leg



# Instruction Manual

## 1. Fix the filter housing :

- a. Adjust ⑮Support leg and put the filter housing into the proper position, then fix it on the ground or board.

## 2. Pipe :

- a. Connect ⑭Inlet and Outlet to the main pipe.
- b. Install the exhaust valve and pressure gauge at ③Vent

## 3. Open the filter housing and install the internal parts :

- a. To push up the handle then loosen the ⑥Clamp. Turn the ⑩Turntable in anticlockwise direction until the ①Top cover removed from the ⑥Clamp and open it.
- b. Take out the safety latch, which is attached on the ④Raises cover unit, to fix the ①Top cover.
- c. Put the filter bag in and clip top ring with ⑧Filter bag plate closely and make sure ⑨Basket, Filter bag, ⑤O-ring are installed in proper position.
- d. Take the safety latch back to the original place then put down the ①Top cover on the top of ⑤O-ring closely.
- e. Align the ⑥clamp with the ⑦Shell flange and use the ⑩Turntable to fasten tightly in clockwise direction.

#### 4. Testing :

- a. Open ③Vent and pour in water until water comes out from ③Vent.
- b. Close the exhaust valve at ③Vent when water comes out from ③Vent. Then increase pressure to operating pressure slowly.
- c. Keep the above step for 30 minutes and checks whether there is leaking.

#### 5. Stop leakage :

- a. If the leakage was found, please close ⑭Inlet and unfasten ③Vent to relieve the inner pressure.  
Unfasten the ④Raises cover unit and ⑥Clamp the top cover tightly again.
- b. Then open ⑭Inlet and increase pressure slowly and check if there is any leakage.
- c. If not, please open ⑭Inlet and Outlet to start working.

#### 6. Stop running :

- a. Please close ⑭Inlet and Outlet first.
- b. Stop running water and open ③Vent.
- c. Please open the filter housing after relieving the inner pressure.