

High Flow Cartridge Filter Housing Instruction Manual



Contents

◎ Notice.....	2 - 3
◎ Know Your Product.....	4
◎ Instruction Manual.....	5 - 6

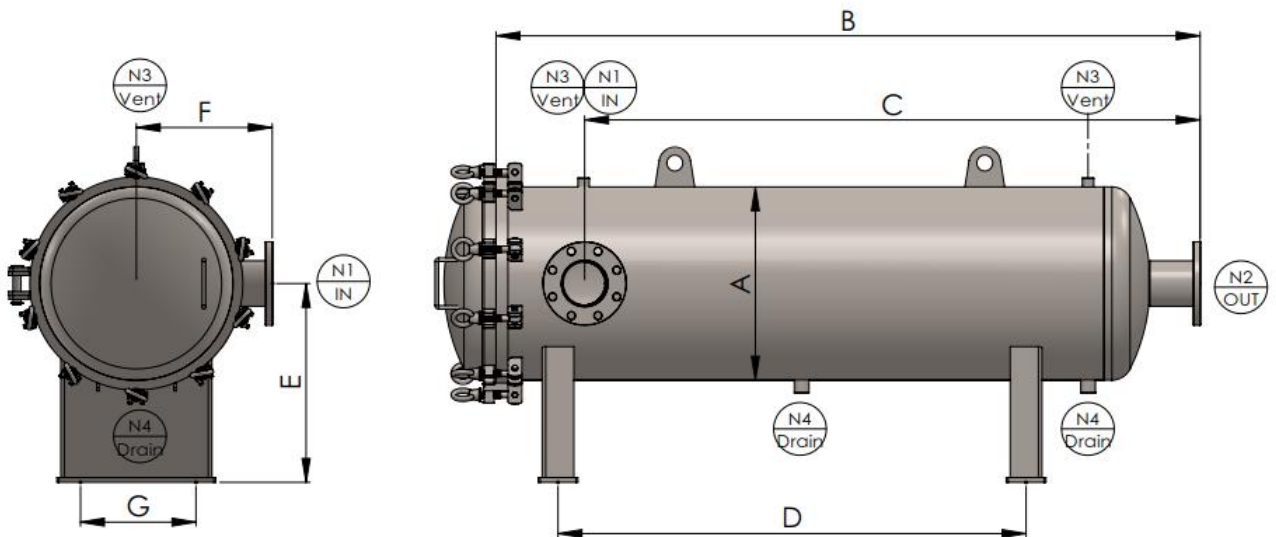
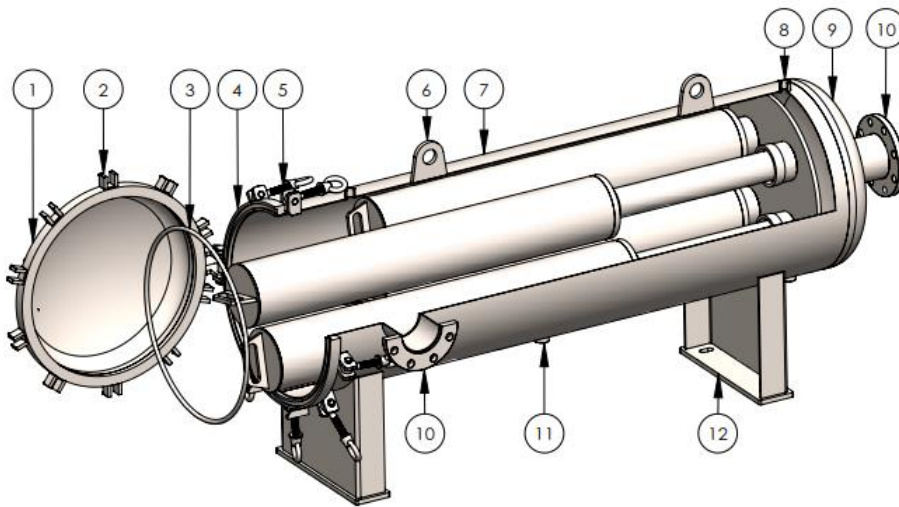
Notice

1. Please install and test the housing according to the product instruction manual.
2. This product is designed for filter equipment used for water filtration only; please don't use it on other purpose to avoid danger.
3. This product is categorized as pressure vessel, only professional or well-trained person who can install and operate it.
4. Please read through the instruction manual before moving, installing and using this product.
5. Please check the product and make sure that there is no any damage or components lost before installing it. If the product was damaged, deformed or leaking, please stop using the housing.
6. Please make sure that if the fluid is suitable for the filter before using.
7. Please use the product according to the instruction manual and make sure that the design pressure and the operating pressure are in the required range.
8. The filter housing must be installed and fixed on the level ground. Please do not fix it on the uneven ground.
9. Please do not open the top cover randomly before piping.
10. Installing the pressure control valve is suggested to keep the water pressure from the suddenly increased/decreased water pressure happens.

11. Please avoid rapid switching of the ball valve and continuous countercurrent which may cause damage to filter and housing while using the product.
12. Be sure to relieve the pressure inside the filter housing completely before replacing filter cartridges.
Please be cautious with the possibility of fluid ejection when it is at a high temperature.
13. Please use the suitable O-ring and check it regularly then replace it if necessary. Deterioration or damage of the O-ring may cause fluid leakage.
14. The internal plastics components will deteriorate by long-term use. Please check it regularly and replace it if deterioration or damage is found.

Know Your Product

No.	名稱	Description	No.	名稱	Description	No.	名稱	Description
1.	上蓋唇	Top cover flange	2.	上蓋	Top cover	3.	O 型環	O-ring
4.	桶唇	Shell flange	5.	單眼螺絲組	Eye bolt	6.	吊耳	Lifting lug
7.	桶體	Shell	8.	排氣口	Vent	9.	端板	Bottom cover
10.	出入水口	Inlet/Outlet	11.	排放口	Drain	12.	腳架組	Support Leg



Instruction Manual

1. Fix the filter housing :

- a. Put the filter housing into the proper position, and then fix it on the ground or board.

2. Pipe :

- a. Connect ⑩Inlet and ⑩Outlet to the main pipe.
- b. Install the exhaust valve and pressure gauge at ⑧Vent

3. Open the filter housing and installation :

- a. Open ⑧Vent to relieve pressure from the filter housing before opening the ②Top cover. To make sure the housing is completely empty by opening ⑪Drain.
- b. Loosen the ⑤Eye bolt on the cover and swing the ②Top cover out of position.
- c. Align and insert the filter cartridge on the center post. Push the cartridge into the housing until it is fully seated. To ensure proper cartridge seating, gently twist the handle back and forth while pushing the cartridge into the housing.
- d. Slowly turn the cartridge clockwise holding the handle firmly. To ensure that the cartridge is locked into the housing cartridge receptacle, gently pull the cartridge as if removing it.
- e. Please be sure ③O-ring is in the groove before close the ②Top cover.
- f. After alignment, close the ②Top cover and fasten ⑤Eye bolt tightly.

4. Testing :

- a. Close ⑪Drain and open ⑧Vent.

- b. Pour in water until water comes out from ⑧Vent, and then close the vent valve.
- c. Keep the above step for 30 minutes and checks whether there is leakage point.

5. Stop leakage :

- a. If the leakage was found, please close ⑩Inlet and unfasten ⑧Vent to relieve the inner pressure.
- b. Align the ③O-ring and fasten the ⑤Eye bolt tightly again.
- c. Then open ⑩Inlet and increase pressure slowly and check if there is any leakage.
- d. If not, please open ⑩Inlet and ⑩Outlet to start working.

6. Stop running :

- a. Please close off ⑩Inlet and ⑩Outlet first, stop running water and open ⑧Vent.
- b. Please open the filter housing after relieving the internal pressure.