



永阡鑫股份有限公司

# HA Filter Cartridge Housing Instruction Manual



**User**

[www.oztter.com](http://www.oztter.com)

**OZTTER CORPORATION**

## Contents

◎ Notice.....	2 - 3
◎ Know Your Product.....	4
◎ Instruction Manual.....	5- 6

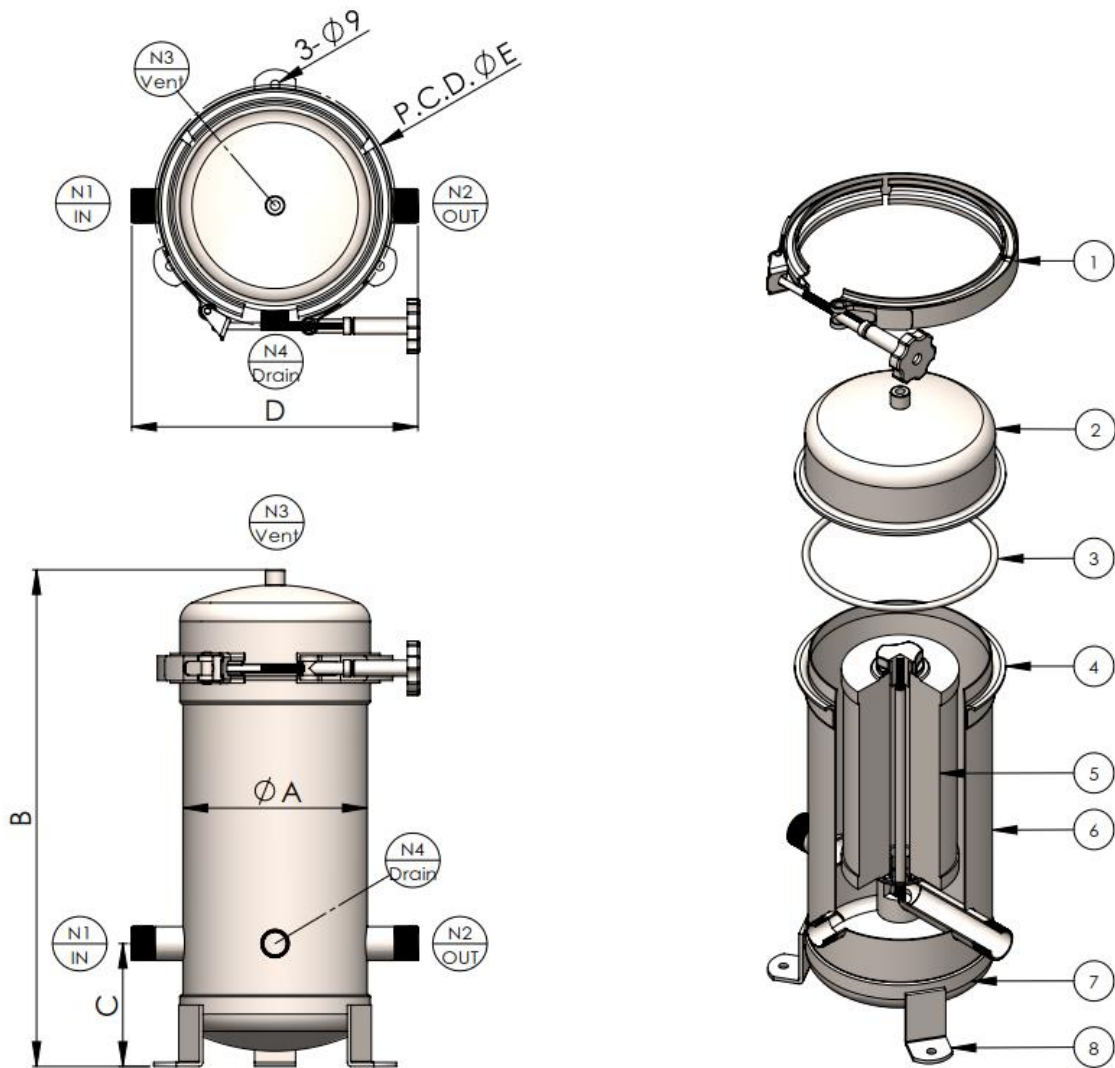
## Notice

1. Please install and test the housing according to the product instruction manual.
2. This product is designed for filter equipment used for water filtration only; please don't use it on other purpose to avoid danger.
3. This product is categorized as pressure vessel, only professional or well-trained person who can install and operate it.
4. Please read through the instruction manual before moving, installing and using this product.
5. Please check the product and make sure that there is no any damage or components lost before installing it. If the product was damaged, deformed or leaking, please stop using the housing.
6. Please make sure that if the fluid is suitable for the filter before using.
7. Please use the product according to the instruction manual and make sure that the design pressure and the operating pressure are in the required range.
8. The filter housing must be installed and fixed on the level ground. Please do not fix it on the uneven ground.
9. Please do not open the top cover randomly before piping.
10. Installing the pressure control valve is suggested to keep the water pressure from the suddenly increased/decreased water pressure happens.

11. Please avoid rapid switching of the ball valve and continuous countercurrent which may cause damage to filter and housing while using the product.
12. Be sure to relieve the pressure inside the filter housing completely before replacing filter cartridges.  
Please be cautious with the possibility of fluid ejection when it is at a high temperature.
13. Please use the suitable O-ring and check it regularly then replace it if necessary. Deterioration or damage of the O-ring may cause fluid leakage.
14. The internal plastics components will deteriorate by long-term use. Please check it regularly and replace it if deterioration or damage is found.

# Know Your Product

No.	名稱	Description	No.	名稱	Description	No.	名稱	Description
1.	束環	Clamp	2.	上蓋	Top cover	3.	O 型環	O-Ring
4.	桶唇	Shell Flange	5.	濾心	Filter Cartridge	6.	桶體	Shell
7.	端板	Bottom cover	8.	腳架	Support leg			



# Instruction Manual

## 1. Fix :

- a. Adjust ⑧ Support leg and put the filter housing into the proper position, then fix it on the ground or board.

## 2. Pipe :

- a. Connect the inlet and outlet to the main hole.
- b. Install the exhaust valve and pressure gauge at the vent.

## 3. Open the filter and install the internal parts :

- a. Unfasten the ① Clamp in counter clockwise direction. And remove ② Top cover.
- b. Unfasten the nut in counter clockwise and take it out.
- c. Insert the cartridge post into the hole of the chosen filter cartridge; fasten the nut in clockwise direction. The installation on of the internal cartridge is done.
- d. Check the ③ O-ring; be sure it is in the groove.
- e. Put ② Top Cover from the top down in parallel and place it on the top of ③ O-ring.
- f. Open the ① Clamp, align it to the connection of the ④ Shell flange and ② Top cover.

Lock the plum-type lock screw tightly in clockwise direction.

## 4. Testing :

- a. Close the drain and open the vent.
- b. Pour in water until water comes from vent, and then close the vent valve.

- c. Close the exhaust valve when the water full out of it.

## 5. Stop leaking :

- a. If the leakage was found, please close inlet and unfasten vent to relieve the inner pressure.
- b. Unfasten the ①Clamp then lock it tightly again.
- c. Open inlet and increase pressure slowly and check if there is any leakage.
- d. If not, please open inlet and outlet to start working.

## 6. Stop running :

- a. Please close inlet and outlet first.
- b. Stop running water and open vent to relieve inner pressure slowly.
- c. Make sure inner pressure is relieved completely before opening.