

TRQ

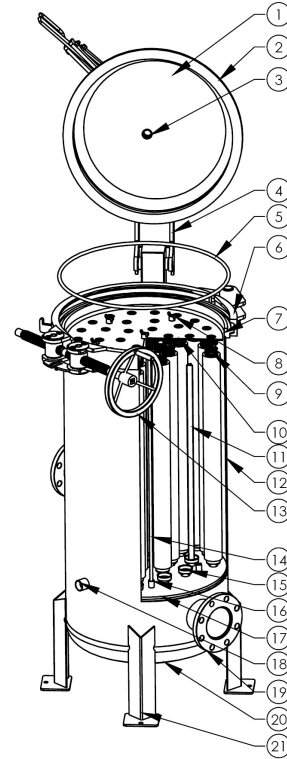
多支式快拆彈簧式濾心機 Quick Open Clamp Type Multi Filter Cartridge Housing



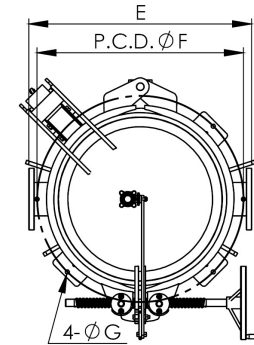
| | | | |
|-------------------|-----------------------------------|----------------------------|----------------------------------|
| 設計壓力 Design P. | 10 kgf/cm ² 150 psi | 最大操作壓力 Max Operating P. | 10kgf/cm ² 150 psi |
| 設計溫度 Design T. | 100°C | 操作溫度 Operating T. | 75°C |
| 選購配件 Accessory | 各式濾芯、中間隔板 Cartridges、Partition | | |



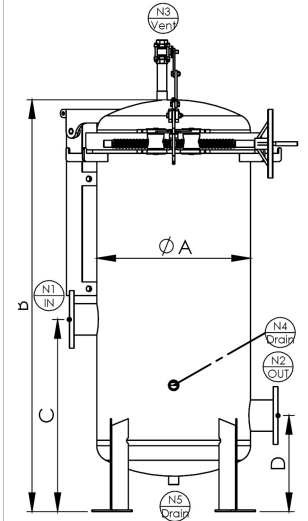
| TRQ | 20 | 3 | 4 | F | 4 | 10K | E | EA |
|---------------|---------------------------------|----------------|---------------------------|-------------------------|--|--|---|---|
| 產品型號 Model | 濾心支數 No. of Filter Cartridge | 濾心長度 Length | 產品材質 Material | 濾心接頭 Adapters | 進出口尺寸 Connection Size | 進出口規格 Connection Type | O 環材質 O-ring | 外 / 內表面處理 Outside & Inside Finishes |
| TRQ | 13-82 | 3-30" 4-40" | 4-304 6-316 6L-316L | F-DOE 5-222 7-226 | 2-2" 221-2-1/2" 3-3" 4-4" 5-5" 6-6" | 150P-ANSI 10K-JIS PN10-DIN C-CLAMP PF-PT/BSPT/Rc (Female) PM-PT/BSPT/R (Male) NF-NPT (Female) NM-NPT (Male) BF-BSPF/G (Female) BM-BSPF/G (Male) | E-EPDM N-NBR V-VITON S-SILICON | A- 酸洗 Acid Pickling E- 電解 Electropolishing P- 拋光 Polishing S- 噴砂 Sand Blasting |



| No. | 名稱 | Description |
|-----|-------|------------------|
| 1 | 上蓋 | Top cover |
| 2 | 上蓋唇 | Top cover flange |
| 3 | 排氣口 | Vent |
| 4 | 掀蓋組 | Raise cover unit |
| 5 | O 型環 | O-ring |
| 6 | 夾環 | Clamp |
| 7 | 桶唇 | Shell flange |
| 8 | 壓板螺母 | Nut |
| 9 | 彈簧組 | Springs |
| 10 | 壓板 | Pressure plate |
| 11 | 濾心角條 | Cartridge post |
| 12 | 桶殼 | Shell |
| 13 | 轉盤 | Turntable |
| 14 | 雙頭牙條 | Threaded rod |
| 15 | 杯座 | Pedestal |
| 16 | 無水板螺母 | Nut |



| No. | 名稱 | Description |
|-----|---------|----------------------|
| 17 | 無水板 | Cartridge seat plate |
| 18 | 排出口 | Drain |
| 19 | 入 / 出水口 | Inlet / Outlet |
| 20 | 端板 | Bottom cover |
| 21 | 腳架 | Support leg |



| 型式 Model | 濾心長度 Length | N1/N2 | N4/N5 | A m/m | B m/m | C m/m | D m/m | E m/m | F (PCD) m/m | G m/m | 流量 M ³ /Hr | 流量 (加侖) GPM |
|-------------|----------------|-------|------------|-------|-------|-------|-------|-------|----------------|-------|--------------------------|----------------|
| TRQ13~20 | 30" | 2"~4" | 1"PT-F | Ø406 | 1451 | 700 | 350 | 606 | Ø516 | Ø14 | 39~60 | 172~264 |
| TRQ13~20 | 40" | 2"~4" | 1"PT-F | Ø406 | 1701 | 700 | 350 | 606 | Ø516 | Ø14 | 52~80 | 229~352 |
| TRQ21~28 | 30" | 3"~4" | 1"PT-F | Ø508 | 1470 | 700 | 350 | 708 | Ø618 | Ø14 | 63~84 | 277~370 |
| TRQ21~28 | 40" | 3"~4" | 1"PT-F | Ø508 | 1720 | 700 | 350 | 708 | Ø618 | Ø14 | 84~112 | 370~493 |
| TRQ29~40 | 30" | 3"~4" | 1"PT-F | Ø560 | 1481 | 700 | 350 | 760 | Ø704 | Ø18 | 87~120 | 383~528 |
| TRQ29~40 | 40" | 3"~4" | 1"PT-F | Ø560 | 1731 | 700 | 350 | 760 | Ø704 | Ø18 | 116~160 | 511~704 |
| TRQ41~52 | 30" | 4"~6" | 1"PT-F | Ø600 | 1569 | 800 | 400 | 800 | Ø744 | Ø18 | 123~156 | 542~687 |
| TRQ41~52 | 40" | 4"~6" | 1"PT-F | Ø600 | 1819 | 800 | 400 | 800 | Ø744 | Ø18 | 164~208 | 722~916 |
| TRQ53~57 | 30" | 4"~6" | 1"PT-F | Ø650 | 1638 | 850 | 450 | 850 | Ø794 | Ø18 | 159~171 | 700~753 |
| TRQ53~57 | 40" | 4"~6" | 1"PT-F | Ø650 | 1908 | 850 | 450 | 850 | Ø794 | Ø18 | 212~228 | 933~1004 |
| TRQ58~82 | 30" | 4"~6" | 1-1/2"PT-F | Ø762 | 1171 | 950 | 500 | 962 | Ø962 | Ø19 | 174~246 | 766~1083 |
| TRQ58~82 | 40" | 4"~6" | 1-1/2"PT-F | Ø762 | 1961 | 950 | 500 | 962 | Ø962 | Ø19 | 232~328 | 1021~1444 |