

KRQ

多袋式快拆彈簧式袋濾機 Quick Open Type Multi Filter Bag Housing



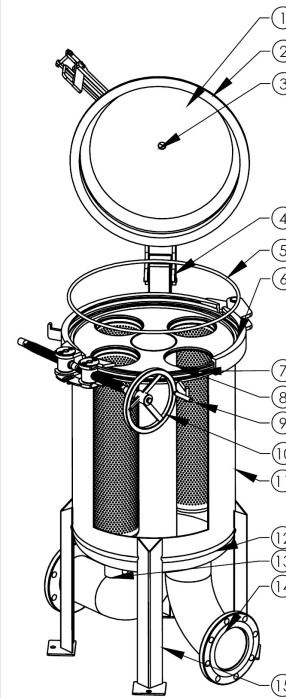
設計壓力 10 kgf/cm² 最大操作壓力 10 kgf/cm²
Design P. 150 psi Max Operating P. 150 psi

設計溫度 100°C 操作溫度 75°C
Design T. Operating T.

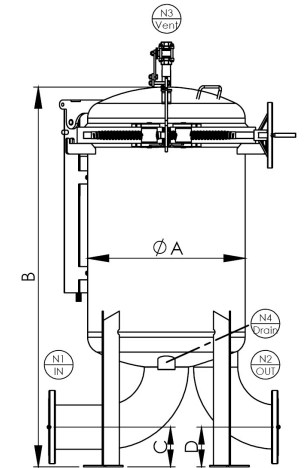
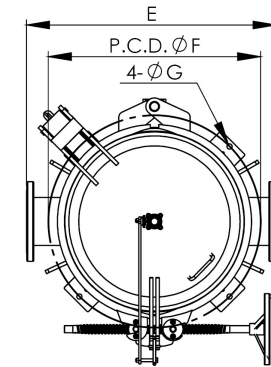
選購配件 各式濾袋、壓袋器、濾袋撐開架、金屬浮球
Accessory Filter Bag, Bag Pressing, Bag Bracket, Metal Float Ball



| KRQ | 4 | 2 | 4 | SB | 4 | 150P | E | EA |
|-------|-------------------|--------------------------|---------------------------|---|--|---|---|---|
| 產品型號 | 濾袋數量 | 濾袋規格 | 產品材質 | 進出口方向 | 進出口尺寸 | 進出口規格 | O 環材質 | 外 / 內表面處理 |
| Model | No. of Filter Bag | Bag Size | Material | Connection | Connection Size | Connection Type | O-ring | Outside & Inside Finishes |
| KRQ | 2~8 | 1-Bag No.1 2-Bag No.2 | 4-304 6-316 6L-316L | SS- 側進側出 Side In & Side Out SB- 側進底出 Side In & Bottom Out BB- 底進底出 Bottom In & Bottom Out | 2-2" 221-2-1/2" 3-3" 4-4" 5-5" 6-6" 8-8" 10-10" 12-12" | 150P-ANSI 10K-JIS PN10-DIN C-CLAMP PF-PT/BSPT/Rc (Female) PM-PT/BSPT/R (Male) NF-NPT (Female) NM-NPT (Male) BF-BSPF/G (Female) BM-BSPF/G (Male) | E-EPDM N-NBR V-VITON S-SILICON | A- 酸洗 Acid Pickling E- 電解 Electropolishing P- 拋光 Polishing S- 噴砂 Sand Blasting |



| No. | 名稱 | Description |
|-----|---------|------------------|
| 1 | 上蓋 | Top cover |
| 2 | 上蓋唇 | Top cover flange |
| 3 | 排氣口 | Vent |
| 4 | 掀蓋組 | Raise cover unit |
| 5 | O 型環 | O-ring |
| 6 | 夾環 | Clamp |
| 7 | 桶蓋 | Shell flange |
| 8 | 濾袋座 | Filter bag plate |
| 9 | 金屬內網 | Basket |
| 10 | 轉盤 | Turntable |
| 11 | 桶體 | Shell |
| 12 | 端板 | Bottom cover |
| 13 | 排放口 | Drain |
| 14 | 入 / 出水口 | Inlet / Outlet |
| 15 | 腳架 | Support leg |



| 型式 Model | Qty. of Bags | N1/N2 | N3 | N4 | A m/m | B m/m | C m/m | D m/m | E m/m | F(PCD) m/m | G m/m | 流量 M ³ /Hr |
|----------|--------------|-------|----|----|-------|-------|-------|-------|-------|------------|-------|-----------------------|
| KRQ2 | 2 | 3" | 1" | 2" | Ø406 | 1192 | 108 | 108 | 584 | Ø516 | Ø14 | 90 |
| KRQ2 | 2 | 4" | 1" | 2" | Ø406 | 1248 | 127 | 127 | 660 | Ø516 | Ø14 | 90 |
| KRQ3 | 3 | 3" | 1" | 2" | Ø508 | 1231 | 108 | 108 | 686 | Ø618 | Ø14 | 135 |
| KRQ3 | 3 | 4" | 1" | 2" | Ø508 | 1287 | 127 | 127 | 724 | Ø618 | Ø14 | 135 |
| KRQ4 | 4 | 3" | 1" | 2" | Ø560 | 1253 | 108 | 108 | 686 | Ø704 | Ø18 | 180 |
| KRQ4 | 4 | 4" | 1" | 2" | Ø560 | 1309 | 127 | 127 | 737 | Ø704 | Ø18 | 180 |
| KRQ4 | 4 | 6" | 1" | 2" | Ø600 | 1423 | 152 | 152 | 876 | Ø744 | Ø18 | 180 |
| KRQ5 | 5 | 3" | 1" | 2" | Ø560 | 1253 | 108 | 108 | 698 | Ø704 | Ø18 | 225 |
| KRQ5 | 5 | 4" | 1" | 2" | Ø560 | 1309 | 127 | 127 | 737 | Ø704 | Ø18 | 225 |
| KRQ5 | 5 | 6" | 1" | 2" | Ø600 | 1423 | 152 | 152 | 876 | Ø744 | Ø18 | 225 |
| KRQ6 | 6 | 3" | 1" | 2" | Ø600 | 1269 | 108 | 108 | 724 | Ø744 | Ø18 | 270 |
| KRQ6 | 6 | 4" | 1" | 2" | Ø600 | 1325 | 127 | 127 | 763 | Ø744 | Ø18 | 270 |
| KRQ6 | 6 | 6" | 1" | 2" | Ø600 | 1423 | 152 | 152 | 876 | Ø744 | Ø18 | 270 |
| KRQ8 | 8 | 3" | 1" | 2" | Ø762 | 1343 | 108 | 108 | 813 | Ø962 | Ø19 | 360 |
| KRQ8 | 8 | 4" | 1" | 2" | Ø762 | 1399 | 127 | 127 | 864 | Ø962 | Ø19 | 360 |
| KRQ8 | 8 | 6" | 1" | 2" | Ø762 | 1498 | 152 | 152 | 927 | Ø962 | Ø19 | 360 |
| KRQ8 | 8 | 8" | 1" | 2" | Ø762 | 1604 | 184 | 184 | 1047 | Ø962 | Ø19 | 360 |