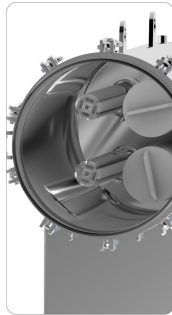
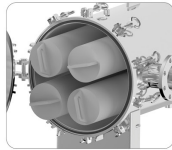
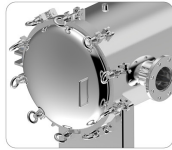
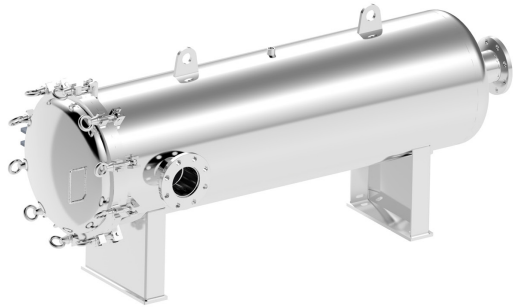


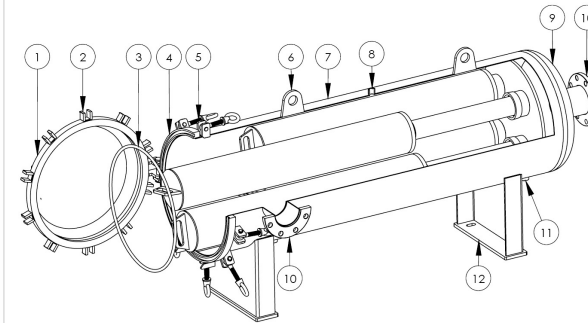
FM

多支式濾心機 (高流量型) High Flow Type Multi Filter Cartridge Housing

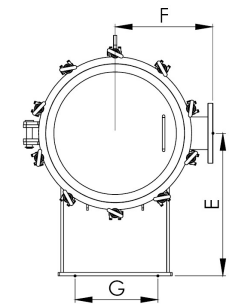
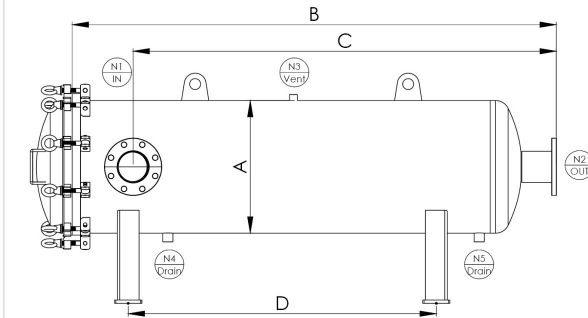


設計壓力 Design P.	10 kgf/cm ² 150 psi	最大操作壓力 Max Operating P.	10 kgf/cm ² 150 psi
設計溫度 Design T.	100°C	操作溫度 Operating T.	75°C

選購配件 大流量濾芯、700 型濾芯、3M 濾芯、PALL 濾芯
Accessory 3M High Flow Cartridge、700-Cartridge、Pall-Max



No.	名稱	Description
1	上蓋唇	Top cover flange
2	上蓋	Top cover
3	O 型環	O-ring
4	桶唇	Shell flange
5	單眼螺絲	Eye bolt
6	吊耳	Lifting lug
7	桶體	Shell
8	排氣口	Vent
9	端板	Bottom cover
10	入 / 出水口	Inlet / Outlet
11	排放口	Drain
12	腳架組	Support leg



FM	5	1	4	3H	6	150P	E	EA
產品型號 Model	濾心支數 No. of Filter Cartridge	濾心長度 Length	產品材質 Material	濾心接頭 Adapters	進出口尺寸 Connection Size	進出口規格 Connection Type	O 環材質 O-ring	外 / 內表面處理 Outside & Inside Finishes
FM	2~19	4-40" 6-60"	4-304 6-316 6L-316L	3H-3M High flow 37-3M 700 PM-Pall PX-Pall Max	2-2" 221-2-1/2" 3-3" 4-4" 5-5" 6-6" 8-8" 10-10" 12-12" 14-14" 16-16"	150P-ANSI 10K-JIS PN10-DIN C-CLAMP PF-PT/BSPT/Rc (Female) PM-PT/BSPT/R (Male) NF-NPT (Female) 14-14" 16-16" NM-NPT (Male) BF-BSPF/G (Female) BM-BSPF/G (Male)	E-EPDM N-NBR V-VITON S-SILICON TS-TEFLON+SIUCON	A- 酸洗 Acid Pickling E- 電解 Electropolishing P- 拋光 Polishing S- 噴砂 Sand Blasting

型式 Model	濾心長度 Length	N1/N2	N3	N4/N5	A m/m	B m/m	C m/m	D m/m	E m/m	F m/m	G m/m	流量 M ³ /Hr
FM2	40"	4"	1/2"	1"	Ø406	1681	1471	1120	450	303	250	190
FM2	60"	4"	1/2"	1"	Ø406	2191	1981	1630	450	303	250	280
FM3	40"	5"	1/2"	1"	Ø406	1731	1511	1170	450	303	250	258
FM3	60"	5"	1/2"	1"	Ø406	2241	2021	1680	450	303	250	420
FM4	40"	5"	1/2"	1"	Ø508	1750	1530	1170	500	354	300	380
FM4	60"	5"	1/2"	1"	Ø508	2260	2040	1680	500	354	300	560
FM5	40"	6"	1/2"	1"	Ø508	1750	1515	1170	500	354	300	475
FM5	60"	6"	1/2"	1"	Ø508	2260	2025	1680	500	354	300	700
FM7	40"	6"	1/2"	1"	Ø560	1761	1526	1170	550	380	350	665
FM7	60"	6"	1/2"	1"	Ø560	2271	2036	1680	550	380	350	980
FM8	40"	6"	1/2"	1"	Ø650	1780	1545	1170	600	425	400	760
FM8	60"	6"	1/2"	1"	Ø650	2290	2055	1680	600	425	400	1120
FM9	40"	8"	1/2"	1"	Ø762	1881	1606	1250	650	481	500	855
FM9	60"	8"	1/2"	1"	Ø762	2391	2116	1760	650	481	500	1260
FM10	40"	8"	1/2"	1"	Ø762	1881	1606	1250	650	481	500	950
FM10	60"	8"	1/2"	1"	Ø762	2391	2116	1760	650	481	500	1400
FM12	40"	8"	1/2"	1"	Ø762	1881	1606	1250	650	481	500	1140
FM12	60"	8"	1/2"	1"	Ø762	2391	2116	1760	650	481	500	1680
FM13	40"	14"	1/2"	1"	Ø864	2091	1691	1440	700	532	550	1235
FM13	60"	14"	1/2"	1"	Ø864	2601	2201	1950	700	532	550	1820
FM15	40"	16"	1/2"	1"	Ø864	2141	1716	1490	700	532	550	1425
FM15	60"	16"	1/2"	1"	Ø864	2651	2226	2000	700	532	550	2100
FM17	40"	16"	1/2"	1"	Ø864	2141	1716	1490	700	532	550	1615
FM17	60"	16"	1/2"	1"	Ø864	2651	2226	2000	700	532	550	2380
FM19	40"	16"	1/2"	1"	Ø900	2148	1723	1490	750	550	600	1805
FM19	60"	16"	1/2"	1"	Ø900	2658	2233	2000	750	550	600	2660